



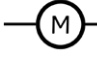

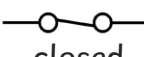
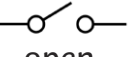
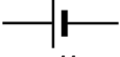
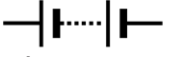


**Circuit Symbol Answers**

 bulb	 bulb (lit up)	 buzzer	 ammeter
 motor	 voltmeter	 closed switch	 open switch
 cell	 battery		